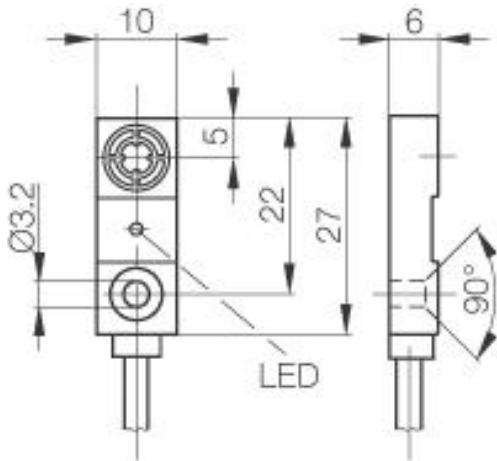


**Inductive Sensors**  
**BES R03KC-PSC30B-EV02**  
**30 x 10 x 6**  
**normally-open**  
**Sn=3mm**  
**shielded**



**Common Data**

Mounting in steel	shielded
Rated operating distance Sn	3mm
Assured operating distance Sa	0...2.4mm
Hysteresis	= 15%
Function indication	yes
Ambient temperature range	-25...+70°C
Polution Degree	3

**Mechanical Data**

Measurements BxHxT or DxT	30 x 10 x 6mm
Housing material	PA6-GF30
Material of sensing face	PA6-GF30
Degree of protection	IP67IP
Connection	Cable
Cable type	LiYY-11Y-0
Schock: Halfsinus, 30 gn, 11ms	
Vibration: 55 Hz, 1mm Amplitude, 3 x 30 Minutes	

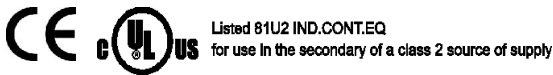
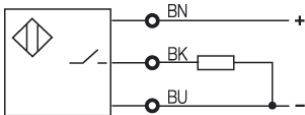
**Electrical Data**

Current type	DC
Wiring	3-Wire
switching function	normally-open
Output signal	PNP
Rated operational voltage	24 DCV
Rated operational current	100mA
Supply voltage	5...30 DCV
Ripple	≤ 10%
max. switching frequency	1000Hz
No-load supply current	=6/-mA
Voltage drop	=1,5/-V
Short circuit protection	yes
Protected against polarity reversal	no

**Remarks**

Mounting Instructions 825345

PX1964



Utilization categories  
 Insulation class

DC 12

Datasheet number:

Definitions see general catalog.  
 If not otherwise noted, ratings according to  
 IEC 60947-5-2 (DIN EN60947-5-2)

Balluff GmbH  
 Schurwaldstrasse 9  
 73765 Neuhausen a.d.F.  
 Phone (07158) 173-0 Fax (07158) 5010

Datenblatt by CD-ROM - 04/2007

